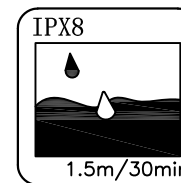
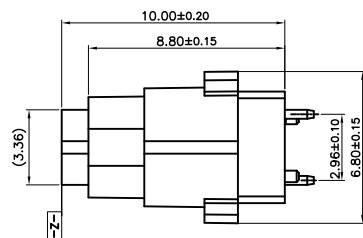
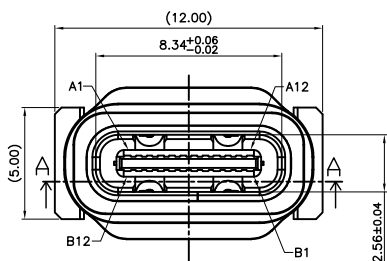


3D VIEW



1.5m/30min



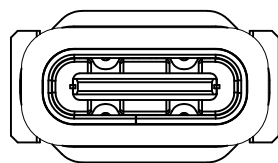
- NOTE:
- MATERIAL:
    - INSULATOR: HIGH TEMPERATURE PLASTIC .  
UL 94V-0; Color: Black .
    - CONTACT: C7025(T=0.12mm)
    - SHELL:STAINLESS STEEL(T=0.40mm)
    - MID PLATE:STAINLESS STEEL(T=0.15mm)
  - ELECTRICAL CHARACTERISTICS;
    - CONTACT RESISTANCE: 40mΩ Max FOR INITIAL.  
10mΩ CHANGE AFTER TEST. MEASURE AT 20mV, 100mA.
    - CONTACT CURRENT RATING: 5A
    - DIELECTRIC WITHSTANDING VOLTAGE: 100V AC R.M.S.
    - INSULATION RESISTANCE 100MΩ Min
    - OPERATING TEMPERATURE: -40°C ~ 85°C
  - MECHANICAL CHARACTERISTICS:
    - MATING FORCE: 5~20 N.
    - UNMATED FORCE: 8~20N INITIAL TEST; 6~20N DURABILITY AFTER TEST
    - DURABILITY: 10,000 CYCLES
  - PLATING:
    - TERMINAL CONTACT: Au 3μ" PLATING ON CONTACT AREA; TIN 80μ" Min  
PLATING ON SOLDER TAIL;NI 60μ" Min UNDERPLATING OVERALL .
    - SHELL: 60μ" Min. NICKEL ALL OVER,
    - MID PLATE: CLEAN

NO.	DESCRIPTION	MATERIAL	REMARKS	QTY	SALT SPRAY	PACKAGING
6	PLASTIC SHEATH	PA46	BLACK	1PCS		
5	CAP	LCP 6007AS UL94V-0	BLACK	1PCS		
4	SHELL	SUS304 T=0.40mm	Ni 50μ" Min Plated	1PCS		
3	MID PLATE	SUS301-H T=0.15mm	NO PLATED	1PCS	48H	Reel
2	CONTACT	C7025 T=0.12mm	Au 3μ" PLATING ON CONTACT AREA; TIN 80μ" Min TING ON SOLDER TAIL;NI 60μ" Min UNDERPLATING OVERALL	1SET		
1	HOUSING	LCP UL94V-0	LCP BLACK UL94V-0	1PCS		

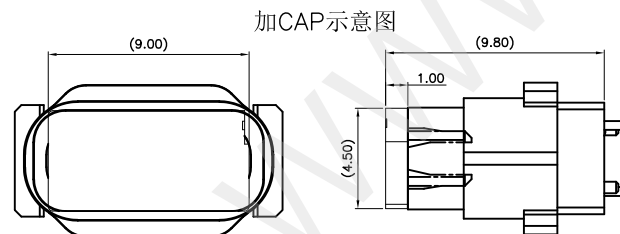
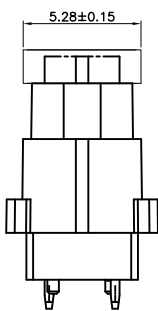
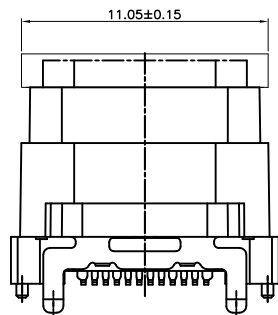


深圳市华宇创精密电子有限公司

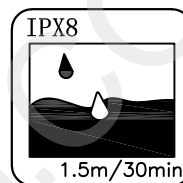
TOLERANCE: X.X ±0.30 X.XX ±0.25 X.XXX ±0.15 X: ±2' X.X' ±0.5'	DRAWN BY :	DATE :	PART NAME:
	陈一鸣	2014-02-23	USB TYPE C 防水母座24P 立贴 H=10.0
UNIT: mm [inch] SCALE:1:1 SIZE: A4	CHECKED BY:	DATE :	PART NO.
	马跃	2014-02-23	HVC405-USBC24-100
	APPROVED BY:	DATE :	DRAW NO:
	邱敏	2014-02-23	HVC-2509181145
			SHEET NO. 1 OF 1



加防水圈示意图

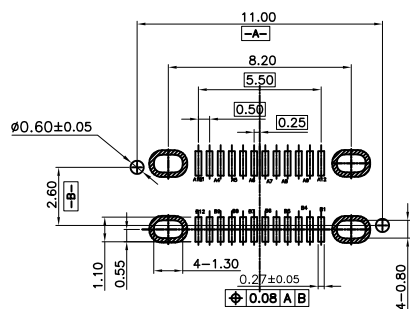


加CAP示意图

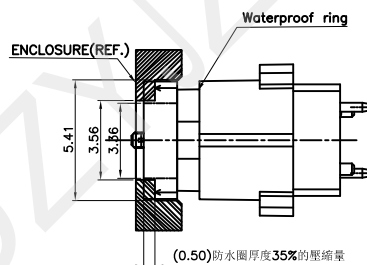


USB TYPE-C FULL-FEATURED RECEPTACLE  
INTERFACE PIN ASSIGNMENTS

PIX	Signal Name	Description	PIX	Signal Name	Description
A1	GND	Ground return	B12	GND	Ground return
A2	SSTxp1	Positive half of first SuperSpeed TX differential pair	B11	SSRxp1	Positive half of first SuperSpeed RX differential pair
A3	SSTxn1	Negative half of first SuperSpeed TX differential pair	B10	SSRxn1	Negative half of first SuperSpeed RX differential pair
A4	Vns	Bus Power	B9	Vns	Bus Power
A5	CC1	Configuration Channel	B8	SRU2	Sideband Use (SBU)
A6	Dp1	Positive half of the USB 2.0 differential pair-Position 1	B7	Dn2	Negative half of the USB 2.0 differential pair-Position 2
A7	Dn1	Negative half of the USB 2.0 differential pair-Position 1	B6	Dp2	Positive half of the USB 2.0 differential pair-Position 2
A8	SRU1	Sideband Use (SBU)	B5	CC2	Configuration Channel
A9	Vns	Bus Power	B4	Vns	Bus Power
A10	SSRx2	Negative half of second SuperSpeed RX differential pair	B3	SSTx2	Negative half of second SuperSpeed TX differential pair
A11	SSRx2	Positive half of second SuperSpeed RX differential pair	B2	SSTx2	Positive half of second SuperSpeed TX differential pair
A12	GND	Ground return	B1	GND	Ground return



RECOMMENDED P.C.B. LAYOUT (T:1.00mm)  
TOLERANCE UNSPECIFIED ±0.05mm

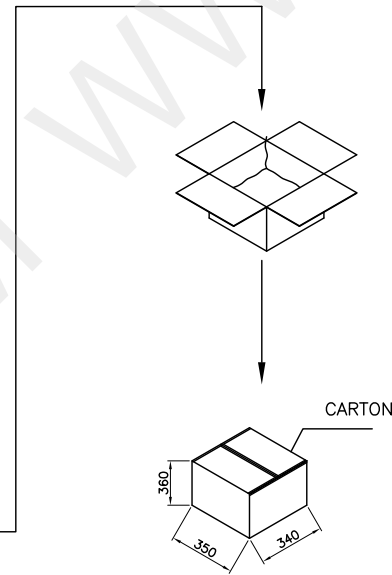
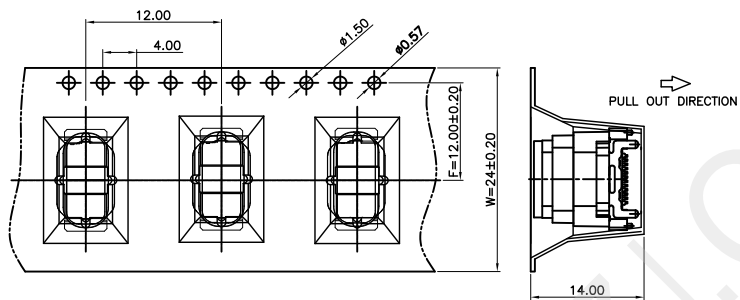
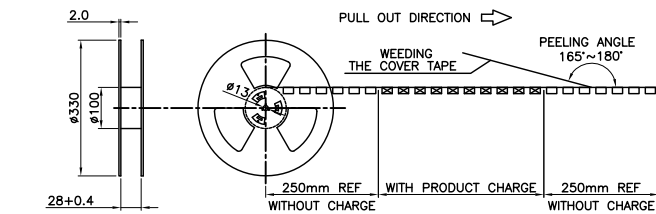


(0.50)防水圈厚度35%的壓縮量  
防水組裝配合參考示意图



深圳市华宇创精密电子有限公司

<b>TOLERANCE:</b> X.X ±0.30 X.XX ±0.25 X.XXX ±0.15 X: ±2' X.X' ±0.5'	<b>DRAWN BY :</b> 陈一鸣	<b>DATE :</b> 2014-02-23	<b>PART NAME:</b> USB TYPE C 防水母座24P 立贴 H=10.0
	<b>CHECKED BY:</b> 马跃	<b>DATE :</b> 2014-02-23	<b>PART NO.</b> HYC405-USBC24-100
UNIT: mm [inch] SCALE:1:1 SIZE: A4	<b>APPROVED BY:</b> 邱敏	<b>DATE :</b> 2014-02-23	<b>DRAW NO:</b> HYC-2509181145
			<b>SHEET NO.</b> 1 OF 1



NOTE:  
1. QUANTITY: 300 PCS/REEL, 3300PCS/CARTON.

注意:

1. 材料:

纸箱: 纤维板, 瓦楞, 双层壁。

胶带: 聚苯乙烯, 耐热温度: 120℃, 白。

卷筒: 聚苯乙烯, 耐热温度: 70℃, 蓝色。

包装: 聚乙烯, 耐热温度: 100℃。

2. 剥离强度: 0.1 ~ 1.3 N (10 ~ 130克)

3. 剥离速度: 300mm /min。

4. 每个袋子都应包括干燥剂\*2。

5. 外箱上贴号物料标签及RHOS标签

6. 同一产品只能装同一纸箱, 不允其它产品;



深圳市华宇创精密电子有限公司

TOLERANCE: X.X ±0.30 X.XX ±0.25 X.XXX ±0.15 X' ±2' X.X' ±0.5'	DRAWN BY : 陈一鸣	DATE : 2014-02-23	PART NAME: 包装图	
	CHECKED BY: 马跃	DATE : 2014-02-23	PART NO.	
UNIT: mm [inch] SCALE: 1:1 SIZE: A4	APPROVED BY: 邱敏	DATE : 2014-02-23	MOLD NO.	
			DRAW NO:	
			SHEET NO.	1 OF 1